

SRMD

Setra Room Monitoring Display



Dual Display



Single Display

DESCRIPTION

The Model SRMD is a bright, attractive LCD display that provides a clear and remote view of real-time "at a glance" room conditions, ensuring effective environment control management.

CE-compliant, the SRMD accepts 0 to 5 and 0 to 10 VDC analog signals from virtually any sensing technology including temperature, humidity, CO₂, pressure, and others. Adjustable zero and span capabilities make it easy for the user to calibrate readings. Units are available with either a single or dual 1-inch, 3.5 digit LCD display and choice of red, blue or green backlight for easy viewing from across a room. These units are also wipedown capable requiring no special maintenance. The SRMD is easy to install, only requiring a standard 4-11/16 electrical box.

This unit is also designed for direct compatibility with Setra's Relative Humidity (SRH) sensors with temperature output. Units may be ordered and shipped as a factory calibrated bundle along with the SRMD for faster installation and commissioning.

FEATURES

- Highly Visible 1" LCD Display
- Single LCD Display or Dual LCD Display Model
- Flush Mount Design
- Wipe Down Capable
- Available in Red, Green or Blue LCD Backlight
- Mount in Standard 4-11/16" sq. Electrical Box
- Compatible with Any Analog Sensor with 0-5VDC or 0-10VDC output
- CE Compliant

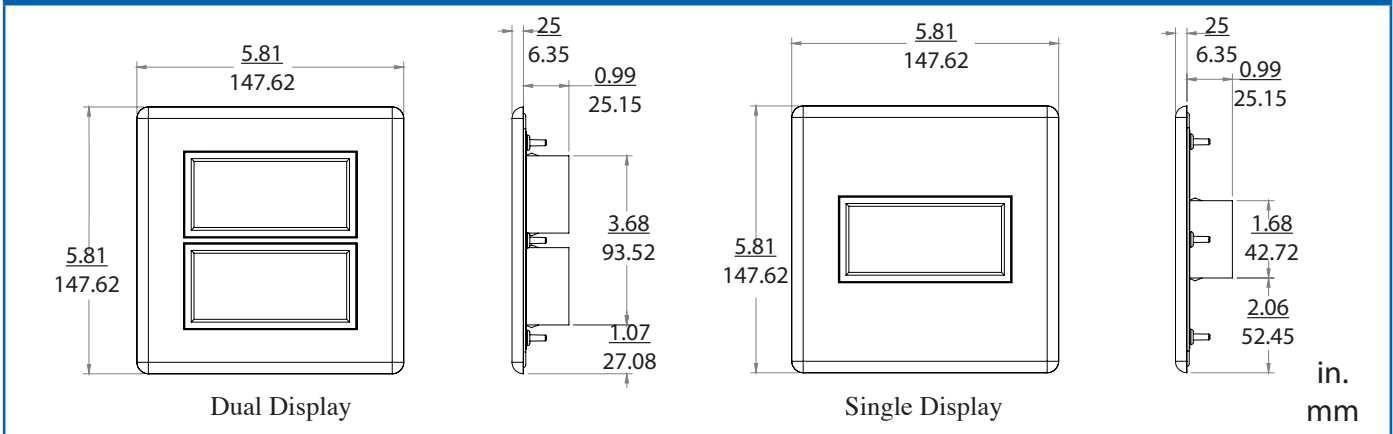
Applications

- Surgical Suites
- Intensive Care Isolation Rooms
- Pharmacology
- Research Laboratories
- Pharmaceutical Manufacturing
- Clean Rooms
- Biological Safety Lab
- Animal Research - Vivarium
- Organic Laboratory

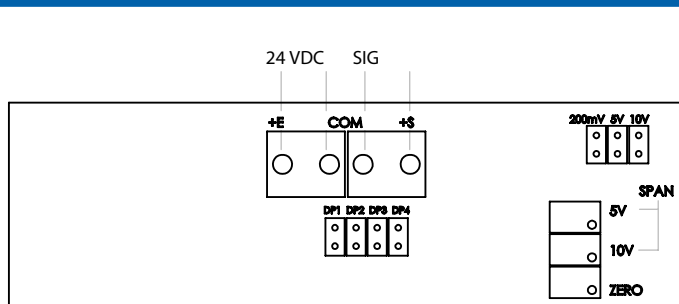
SPECIFICATIONS

Physical Description		Environmental Data		Electrical Data (Voltage)	
Flush Mount Bezel	Fire Retardant UL94V-0	Operating ³ Temperature °F (°C)	14 to +122 (-10 to +50)	Power Input	15-32 VDC or 24 VAC
Bezel Dimensions	Single Display Model - 5.9"H x 5.9"W Dual Display Model - 5.9"H x 5.9"W	Storage Temperature °F (°C)	-40 to +167 (-40 to +75)	Current Consumption	50mA max (per display)
		Operating Humidity	5 to 95% RH (non-condensing)	Analog Signal Input	Jumper Selectable 0-5 VDC or 0-10 VDC
LCD Assembly Dimension	1.89"H x 3.78"W x 1.5"D	Display		Adjustments	Wide Adjustable Zero and Span by 25-Turn Pots.
Weight (approx.)	Single Display Model - 10oz (554g) Dual Display Model - 13 oz (369g)	LCD	Available in Red, Green or Blue Backlit 1" high 3.5 digit (±1999 counts)	Accuracy	+/- 1% FS +/- 2 Counts
		Engineering Unit Labels	Jumper Selectable °F °C % PSI, PPM, "WC	Input Impedance	Greater than 300K ohms
Mounting	Standard 4-11/16 Double Gang Electrical Box	Sampling Rate	3 Readings per Second	Connection	Screw Terminals
Specifications subject to change without notice.		Decimal Point	Jumper Selectable		
Certifications					
CE	Conforms to European Directive				

DIMENSIONS



WIRING



Wiring

- +E DC Power Supply or one of the AC Power Supply wires
- COM DC Power Supply Common or one of the AC Power Supply wires
- +S Signal input Positive from Sensor
- COM Signal input Common from sensor

Calibration

1. Set voltage input full-scale range jumper in 5V or 10V position (200 mV is not used)
2. Set decimal point location jumper as required (default DP1 has jumper for one decimal point)
3. Apply "zero" signal and adjust ZERO pot for desired "ZERO" display reading
4. Apply "full scale" signal and adjust 5V or 10V SPAN pot for desired "Full-Scale" display reading

Note: 4 - 11/16" sq. standard electrical box required for installation, not included.

ORDERING INFORMATION



Single Display

Model	Display Bezel Color		Display Color		Measurement Parameter		Sensor Option	
	Code	Description	Code	Description	Code	Description	Code	Description
SRMD=SRMD	SW	White Bezel	R	Red	N	None	N	None
	SM	Metallic Bezel	G	Green	T	Temp. (14 to 140°F)	W	SRH Wall Mount SRH12PW2CTS5N
			B	Blue	H	Humidity (0.0 to 100.0% RH)	D	SRH Duct Mount SRH12PD2CTS5N

1. Both the SRH Wall Mount (W) and Duct Mount (D) relative humidity sensors are available as an option when selecting either option T (Temperature) or H (Humidity).

Note: Setra's SRH relative humidity sensors contain a humidity and temperature output.
2. Dual display units configured with a SRH humidity / temperature sensor cannot be ordered with temperature on top and bottom (Code TT) or with humidity on top and bottom (Code HH).

Example: SRMDSWRTWNN = SRMD single display, white bezel, red display, temperature, with SRH wall mount sensor.



Dual Display

Example: SRMDDWRTWGH = SRMD dual display, white bezel, red display w/ temperature on top, SRH Wall Mount Sensor green display w/ humidity on bottom

Model	Display Bezel Color		Display Color (Top)		Measurement Parameter (Top Display)		Sensor Option		Display Color (Bottom)		Measurement Parameter (Bottom Display)	
	Code	Description	Code	Description	Code	Description	Code	Description	Code	Description	Code	Description
SRMD=SRMD	DW	White Bezel	R	Red	N	None	N	None	R	Red	N	None
	DM	Metallic Bezel	G	Green	T	Temp. (14 to 140°F)	W	SRH Wall Mount SRH12PW2CTS5N	G	Green	T	Temp. (14 to 140°F)
			B	Blue	H	Humidity (0.0 to 100.0% RH)	D	SRH Duct Mount SRH12PD2CTS5N	B	Blue	H	Humidity (0.0 to 100.0%RH)